

**CLEANTYPE XTRA ROLL****PRODUCT PROPERTIES**

- PC keyboard made of high-quality ABS plastic
- Cursor control by optical 22 mm trackball
- KeyLock function (press Fn + F5) for cleaning the keyboard without disconnect it from the PC
- Low operation force and easy key stroke
- 4 Status LED (Num Lock, Caps L., Scroll L., Power)
- Compact dimensions - fits everywhere
- Pleasant typing feeling
- Flat key profile
- Fold-out stands for tilting the keyboard for ergonomic working

**SPECIFICATION**

GENERAL:	
Number of keys:	83
Housing type:	Desktop housing
Material / colours:	Plastic / white, black
Switch technology:	Silicone plunger, contact foil and scissor mechanism
Switch travel:	2,5 (+/-0,2) mm
Switch force:	0,6 (+/-0,08) N
Keyswitch life:	ca. 5 mill. (per key)
Interface:	USB2.0
Connector:	USB Type A
Cable length:	180 cm
Operating temperature:	0°C to + 40°C
Storage temperature:	-40°C to + 55°C

Dimensions:	364,4 x 133,4 x 29,0 mm
Weight:	610 (+/- 10) g
Warranty:	2 years
Certifications:	EN60601-1-2 Ed 4, EN61000-6-2, CE, FCC
TRACKBALL:	
Operating principle:	Optical
Diameter:	22 mm
Resolution:	1000 cpi
Speed:	20 in/sec, 8G

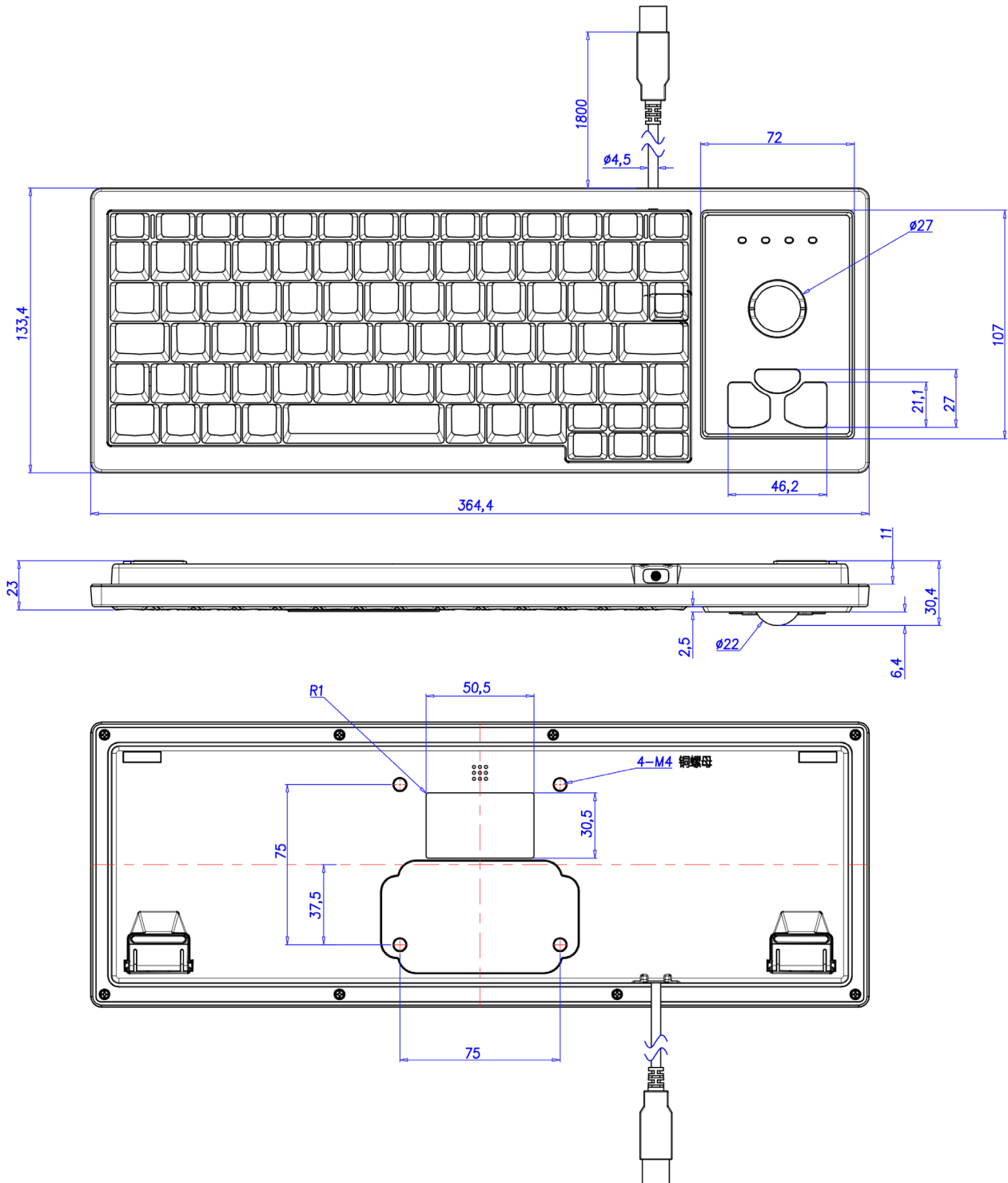
**ORDER INFORMATION**

Art. No.	Full product name	Colour	Layout	
KL30204	TKL-083-GCQ-TB22-BLACK-USB-DE	Black	German	FP

Other layouts, configurations and interfaces on request.



TECHNICAL DRAWING





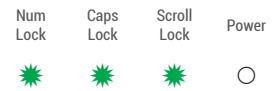
SPECIAL ATTENTION TO OPERATION AND FUNCTION

1. Fn - Layer

The keyboards of the Xtra series have an Fn layer. This is used to call up the following functions / function groups:

1. 1. KeyLock

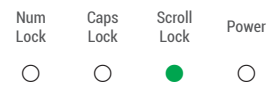
- In order to be able to switch off the keys for cleaning the keyboard without having to disconnect the keyboard from the PC, the keyboards of the Xtra series have a key lock.
- The key lock is activated and deactivated by pressing the key combination [ Fn ] + [ F5 ].
- As long as the key lock is activated, this is indicated by the first three LEDs flashing.



1. 2. Keys from the navigation key area

[ Print ] = [ Fn ] + [ F8 ]  
 [ Scroll Lock ] = [ Fn ] + [ F12 ]

The activated Scroll Lock status is indicated by the Scroll Lock LED.



[ Insert ] = [ Fn ] + [ F10 ]  
 [ Delete ] = [ Fn ] + [ F9 ]  
 [ Home ] = [ Fn ] + [ ← ]  
 [ End ] = [ Fn ] + [ → ]  
 [ Page ↑ ] = [ Fn ] + [ ↑ ]  
 [ Page ↓ ] = [ Fn ] + [ ↓ ]

1. 3. Numeric pad

- The keyboards of the Xtra series have a compact keyboard layout with 83 keys.
- Similar to a notebook, this layout includes a numeric pad located in the alpha keypad, which can be accessed via the Fn layer.
- Switching between the alpha keypad and the numeric pad is done with the key combination [ Fn ] + [ F11 ].
- The activated numeric pad is indicated by the Num Lock LED.

